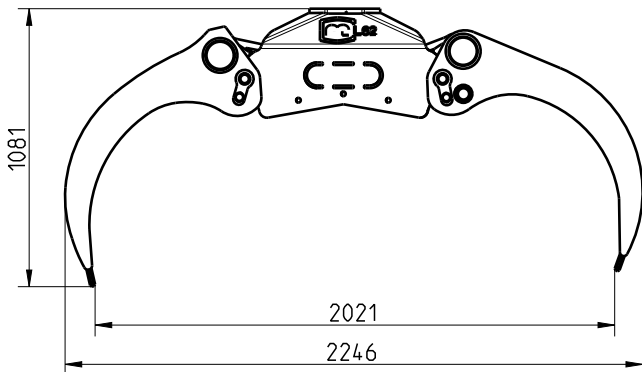
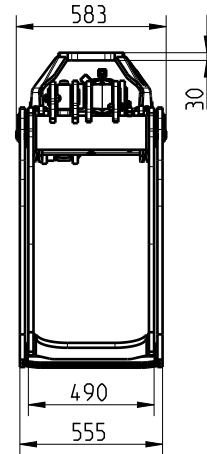
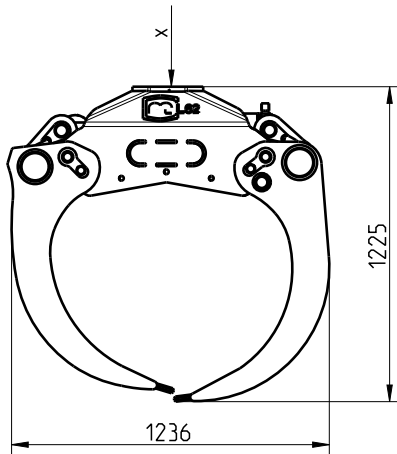


SCALE 1:10  
Suunta/direction X



This drawing is our property. According to law it is forbidden to copy, misuse or deliver it to third person without our permission.

Tyyppi (type)	ML62	
Pitoala (Holding area)	0.6	m <sup>2</sup>
Max kuorma (Max load)	10000	kg
Työpaine (Working pressure)	27	MPa
Kärkivoima (Jaw pressure)	24/27	kN/MPa
Paino (Weight)	375	kg
Suurina aukeama (Max grab width)	2021	mm
Pienin pitomitta (Min diameter)	160	mm
Kork. Kärjet vastakkain (Height jaw against jaw)	1225	mm
Korkeus suljettuna (Height closed)	699	mm
Korkeus avattuna (Height opened)	1081	mm
Leveys suljettuna (Width closed)	1244	mm
Suurin leveys (max width)	583	mm

CREATED 26.03.2019 TY	SCALE 1:1	NIMITYS ML62 tekniset tiedot	STATUS
APPROVED		DESC Technical data of ML62	MODEL 713005 WEIGHT 0.000 KG
<b>Mesera Cranes Finland</b>		MITAT, DIMS	A4 713005
		STD	