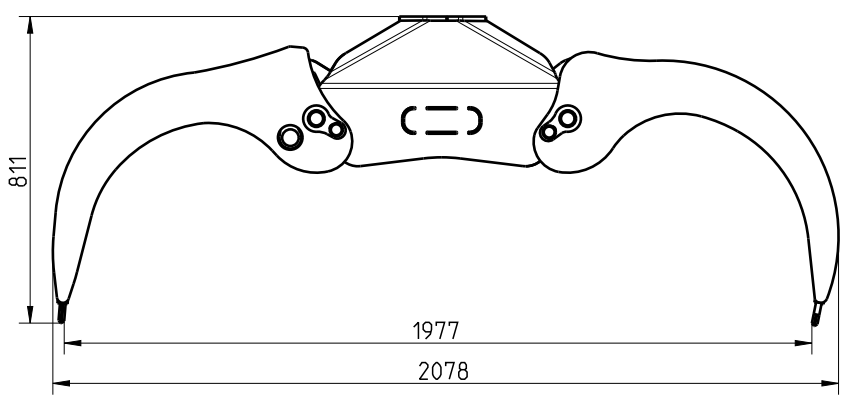
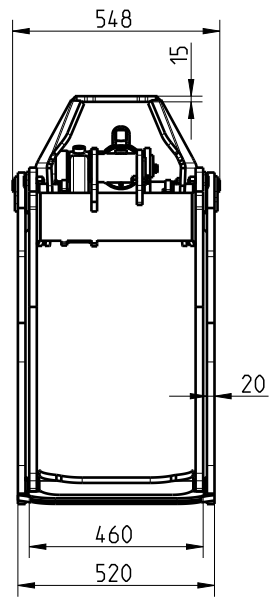
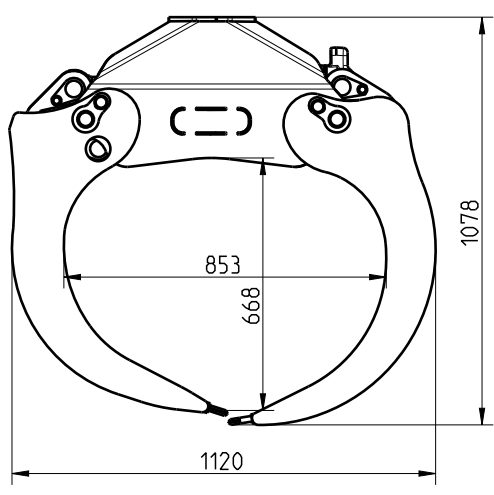


Tyyppi (type)	MF52	
Pitoala (Holding area)	0,5	m <sup>2</sup>
Max kuorma (Max load)	6500	kg
Työpaine (Working pressure)	25	MPa
Kärkivoima (Jaw pressure)	18,5/25	kN/MPa
Paino (Weight)	270	kg
Suurina aukeama (Max grab width)	1977	mm
Pienin pitomitta (Min diameter)	165	mm
Kork. Kärjet vastakkain (Height jaw against jaw)	1078	mm
Korkeus suljettuna (Height closed)	685	mm
Korkeus avattuna (Height opened)	1078	mm
Leveys suljettuna (Width closed)	1048	mm
Suurin leveys (max width)	548	mm



This drawing is our property. According to law it is forbidden to copy, misuse or deliver it to third person without our permission.

CREATED 25.08.2016 TY	SCALE 1:1	NIMITYS MF52 tekniset tiedot	STATUS Released
APPROVED		DESC Technical data of MF52 ,	MODEL 713003 WEIGHT 0,000 KG
<b>Mesera Cranes Finland</b>		MITAT, DIMS	<div style="font-size: 2em; font-family: monospace;">713003</div>
		STD	
		A4	