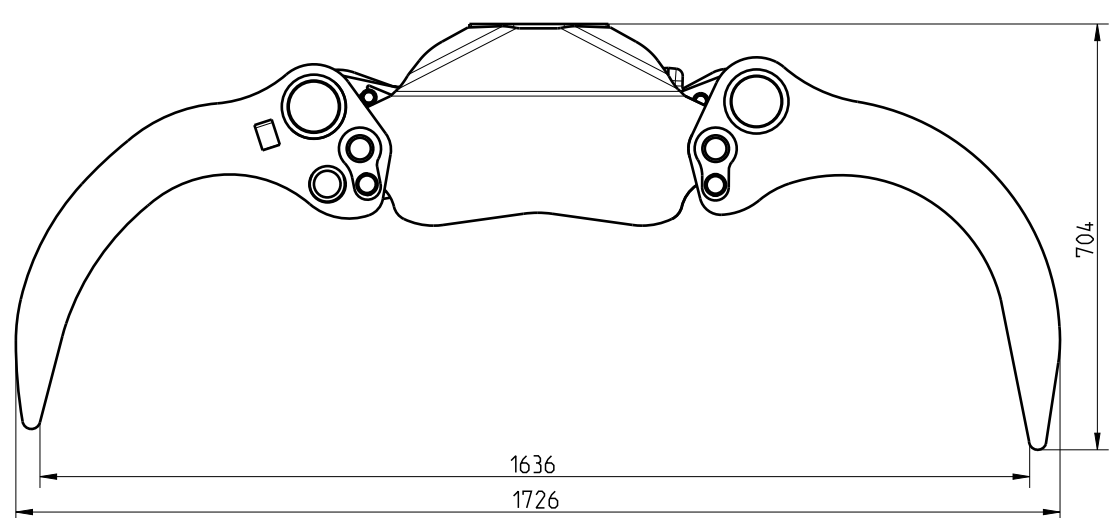
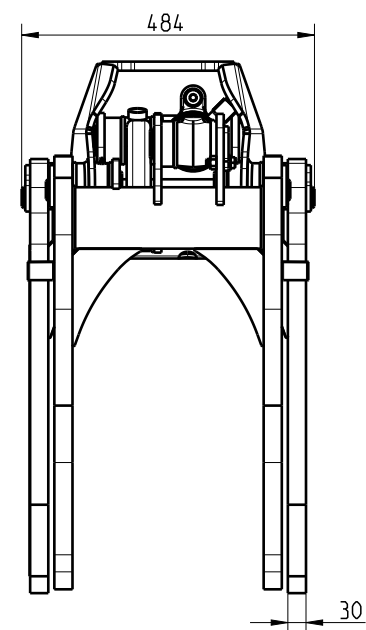
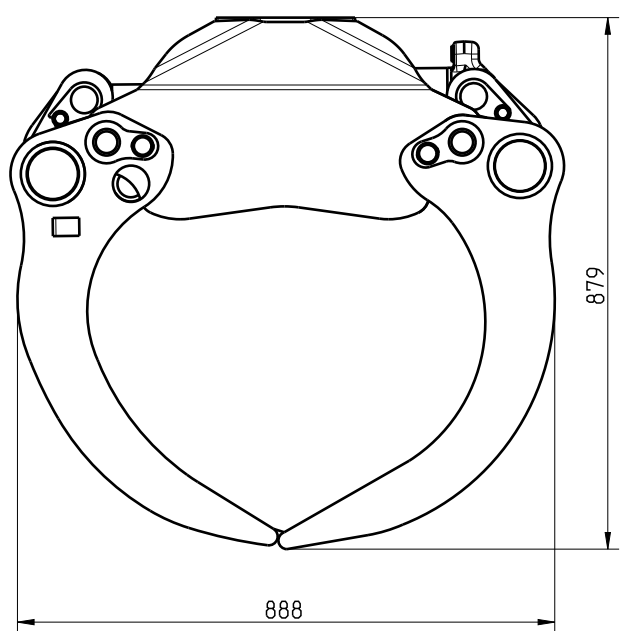


Tyyppi (type)	MR28	
Pitoala (Holding area)	0,28	m2
Max kuorma (Max load)	4500	kg
Työpaine (Working pressure)	25	MPa
Kärkivoima (Jaw pressure)	14,3/25	kN/MPa
Paino (Weight)	205	kg
Suurina aukeama (Max grab width)	1636	mm
Pienin pitomitta (Min diameter)	90	mm
Kork. Kärjet vastakkain (Height jaw against jaw)	879	mm
Korkeus suljettuna (Height closed)	521	mm
Korkeus avattuna (Height opened)	704	mm
Leveys suljettuna (Width closed)	853	mm
Suurin leveys (max width)	484	mm



This drawing is our property. According to law it is forbidden to copy, misuse or deliver it to third person without our permission.

CREATED 27.01.2017 TY	SCALE 1:1	NIMITYS MR28 tekniset tiedot	STATUS Released
APPROVED		DESC Technical data of MR28 ,	MODEL 713004 WEIGHT 0,000 KG
<b>Mesera Cranes Finland</b>		MITAT, DIMS	A4 713004
		STD	