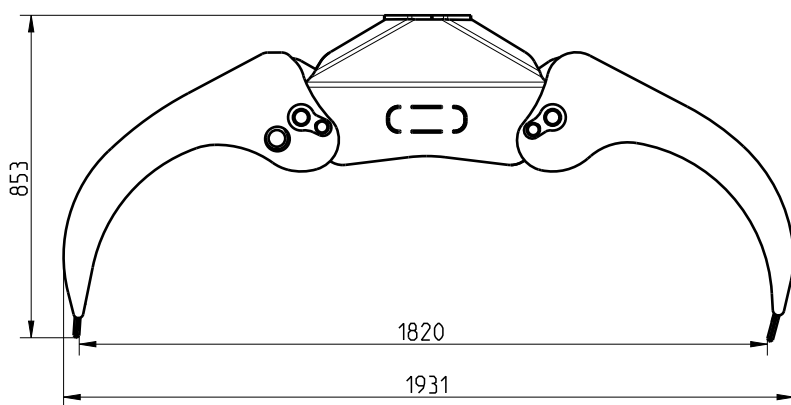
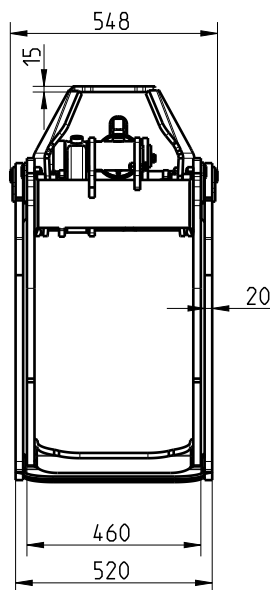
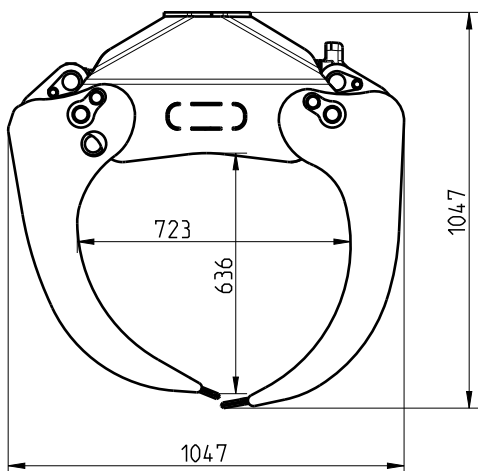


Tyyppi (type)	MF42	
Pitoala (Holding area)	0,4	m ²
Max kuorma (Max load)	6500	kg
Työpaine (Working pressure)	25	MPa
Kärkivoima (Jaw pressure)	20/25	kN/MPa
Paino (Weight)	260	kg
Suurina aukeama (Max grab width)	1820	mm
Pienin pitomitta (Min diameter)	145	mm
Kork. Kärjet vastakkain (Height jaw against jaw)	1047	mm
Korkeus suljettuna (Height closed)	629	mm
Korkeus avattuna (Height opened)	853	mm
Leveys suljettuna (Width closed)	980	mm
Suurin leveys (max width)	548	mm



This drawing is our property. According to law it is forbidden to copy, misuse or deliver it to third person without our permission.

CREATED 25.08.2016 TY	SCALE 1:1	NIMITYS MF42 tekniset tiedot	STATUS Design
APPROVED		DESC Technical data of MF42 ,	MODEL 713002 WEIGHT 0,000 KG
Mesera Cranes Finland		MITAT, DIMS	<div style="font-size: 2em; font-weight: bold;">713002</div>
		STD	
		A4	