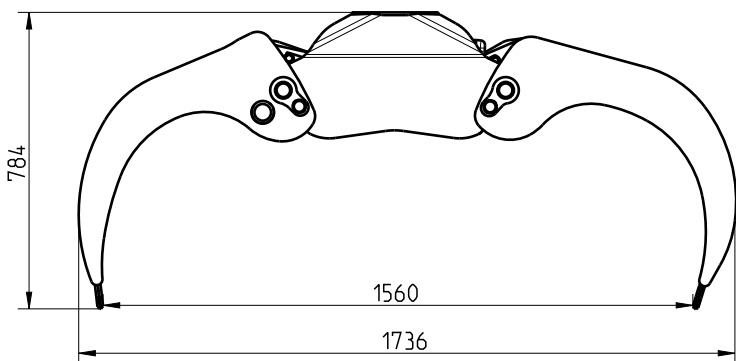
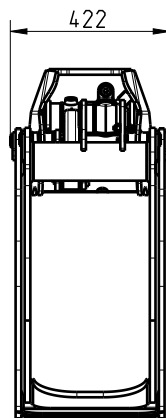
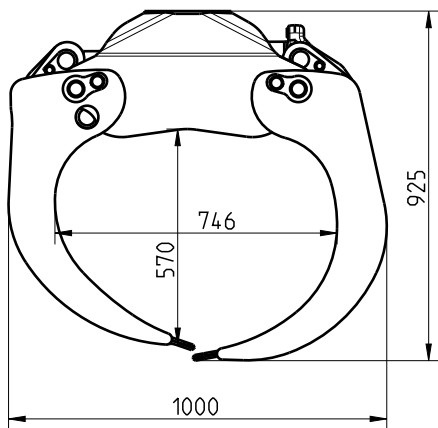
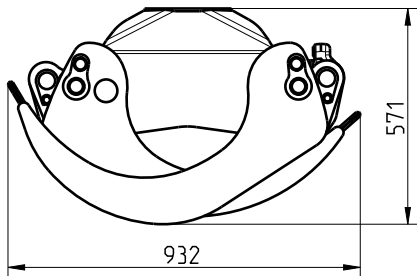


Tyyppi (type)	MF36	
Pitoala (Holding area)	0.35	m2
Max kuorma (Max load)	4500	kg
Työpaine (Working pressure)	25	MPa
Kärkivoima (Jaw pressure)	13.1/25	kN/MPa
Paino (Weight)	185	kg
Suurina aukeama (Max grab width)	1560	mm
Pienin pitomitta (Min diameter)	105	mm
Kork. Kärjet vastakkain (Height jaw against jaw)	925	mm
Korkeus suljettuna (Height closed)	571	mm
Korkeus avattuna (Height opened)	784	mm
Leveys suljettuna (Width closed)	932	mm
Suurin leveys (max width)	422	mm



This drawing is our property. According to law it is forbidden to copy, misuse or deliver it to third person without our permission.

CREATED 02.09.2015 TY	SCALE 1:1	NIMITYS MF36 tekniset tiedot	STATUS Released
APPROVED		DESC Technical data of MF36	MODEL 713001 WEIGHT 0,000 KG
Mesera Cranes Finland		MITAT, DIMS	A4 713001
		STD	