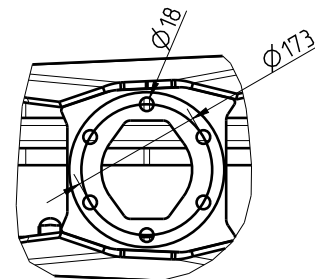
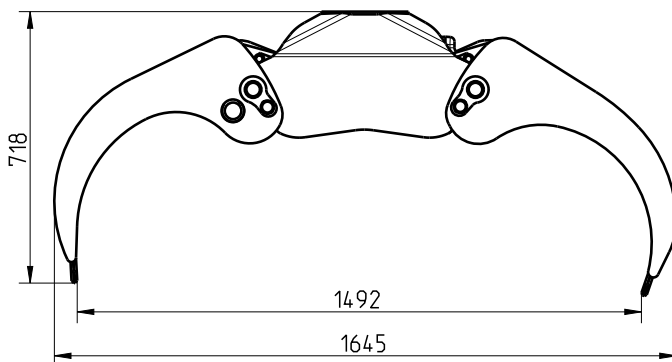
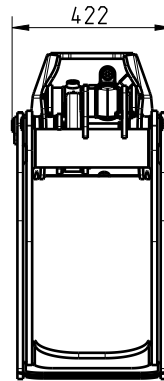
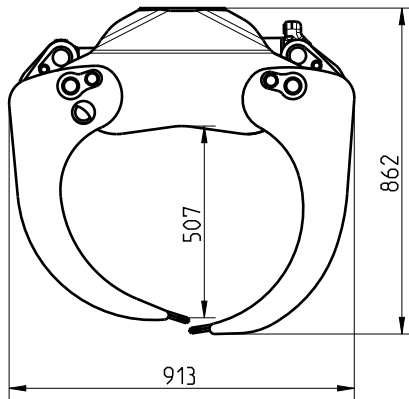
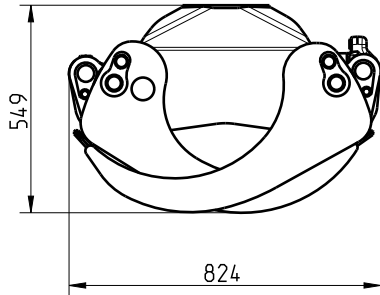


Tyyppi (type)	MF26	
Pitoala (Holding area)	0.25	m ²
Max kuorma (Max load)	4500	kg
Työpaine (Working pressure)	25	MPa
Kärkivoima (Jaw pressure)	14.1/25	kN/MPa
Paino (Weight)	175	kg
Suurina aukeama (Max grab width)	1492	mm
Pienin pitomitta (Min diameter)	105	mm
Kork. Kärjet vastakkain (Height jaw against jaw)	862	mm
Korkeus suljettuna (Height closed)	549	mm
Korkeus avattuna (Height opened)	718	mm
Leveys suljettuna (Width closed)	824	mm
Suurin leveys (max width)	422	mm



SCALE 1:10

This drawing is our property. According to law it is forbidden to copy, misuse or deliver it to third person without our permission.

CREATED	02.09.2015	TY	SCALE	1:1	NIMITYS	MF26 tekniset tiedot	STATUS	Released			
APPROVED					DESC	Technical data of MF26 ,	MODEL	713000	WEIGHT	0,000	KG
Mesera Cranes Finland					MITAT, DIMS		A4	713000			
					STD						